

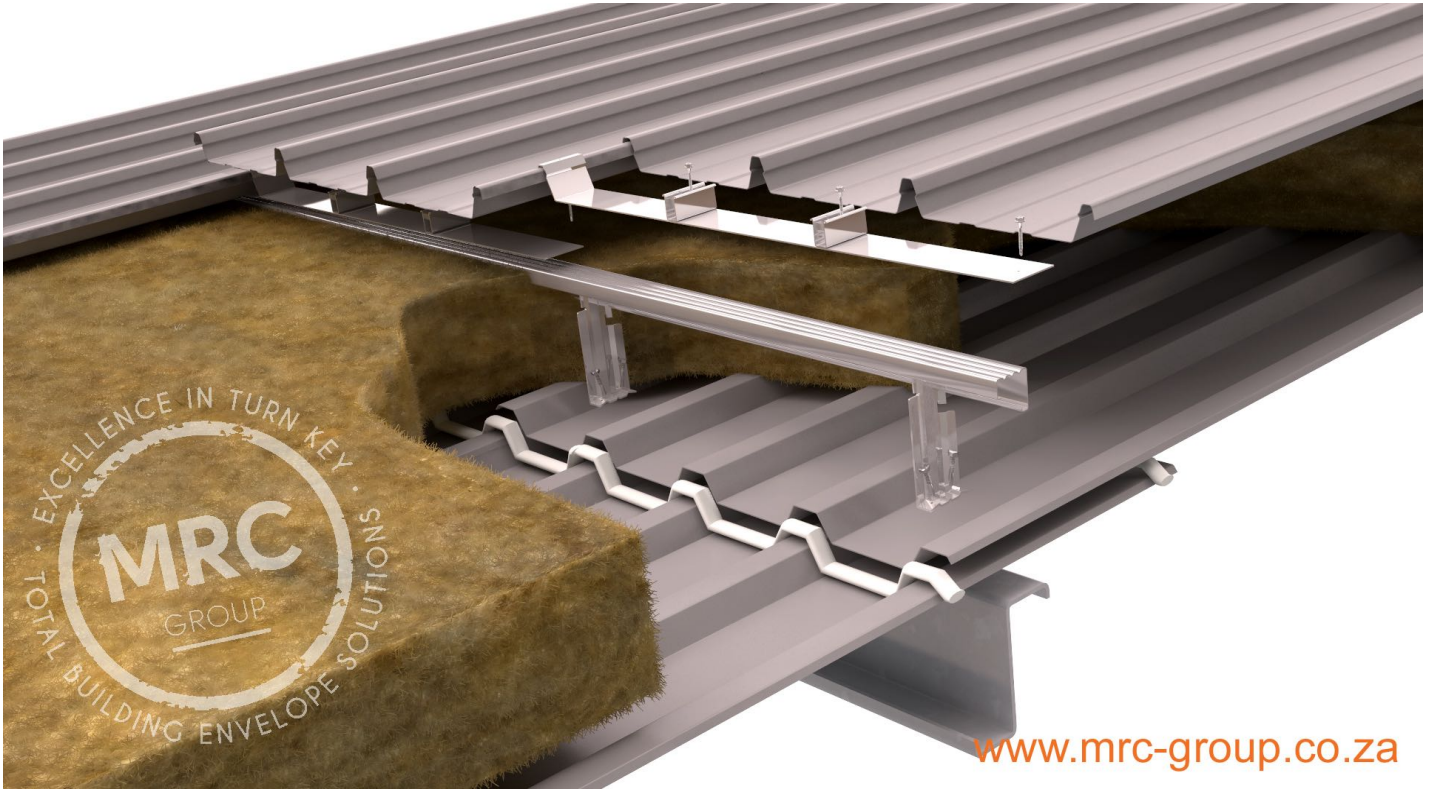
THE FERRUM RANGE

Excellence in Metal
Roofing & Cladding

info@mrc-group.co.za
www.mrc-group.co.za



'SECRET FIX' OVER-ROOFING SYSTEM FOR EXISTING METAL ROOFS



www.mrc-group.co.za

SYSTEM OVERVIEW:

MRC Group's Over-Roofing or Over-Cladding solution provides the opportunity to upgrade / refurbish an existing building envelope without having to remove the existing roof or cladding system. The system is generally considered when the existing roof is either leaking or coming to the end of its operational life.

The patented AshGrid™ System is installed in the troughs of the existing steel profiled roof sheets with the brackets fixed directly to the underlying steel or timber purlins, thus creating an engineered, structurally defined cavity between the old and new roof coverings. When insulated this cavity dramatically improves the overall energy efficiency of the entire building.

MRC Group's installed system is backed with the unrivalled single source 'Guardian' System Warranty which covers design, materials, installation & maintenance for the term of the roofing and cladding system.

KEY FEATURES:

- Full range of aluminum and steel 'Secret' & Pierce Fix roof and cladding systems
- Option of increasing the R-Value performance up to 10 (m².K/W)
- Minimum disturbance to the use within the building
- Avoids the costs of stripping and disposing of existing materials
- Excellent sound reduction & anti-rain drumming performance
- Opportunity to increase the roof pitch with differing bracket sizes
- Backed with the up to 20 year 'Guardian' System Warranty

JOHANNESBURG – DURBAN – CAPE TOWN

For project specific specifications, CAD Details, Samples or technical assistance please contact our technical department on +27 (0) 861 672 476 or refer to our Technical Brochure available on www.mrc-group.co.za

All Information correct as of the date this document was created 01 April 2015.

© Copyright 2015 MRC GROUP Copying or reproduction of these material are strictly prohibited

Reference number: MRC/FR/SF/ORM/001

THE FERRUM RANGE

Excellence in Metal
Roofing & Cladding

info@mrc-group.co.za
www.mrc-group.co.za



'SECRET FIX' OVER-ROOFING SYSTEM FOR EXISTING METAL ROOFS

TECHNICAL DATA:

ASHGRID™ SPACER SUPPORT SYSTEM

- Brackets with thermal pads - standard height range from 60 – 280mm (Deeper brackets available on request)
- Standard Bar lengths from 1.2 / 2.4 / 3.6 Metres
- 2 No. Self Driller Fixings per Bracket - AshFix Mild Steel 5/16 Hexagonal Head LS25 (Steel Purlins) or TF45 (Timber Battens) Self Driller Fixings, with an integrated 16mm washer flange, fixed through the existing roof sheet into the structure

OPTIONAL INSULATION

- Full range of insulation types & thicknesses available
- Fire Classification Class 1 (non-combustible)

R-Value (m ² .K/W)	2.5	3	4	5	6.25
Glass Wool	115mm	135mm	180mm	220mm	280mm
Bracket	115mm	135mm	180mm	220mm	280mm

i.e. Insulation compressed between purlins & roof sheets will lose at least 35% of the proclaimed R-Value, a constant cavity thickness does **NOT** compromise the R-Value

ACOUSTIC DATA – SOUND REDUCTION

- 0.55mm Steel Roof System 40dB +
- 0.8mm Aluminium Roof System 42dB +

WEIGHT OF A TYPICAL OVER-ROOFING SYSTEM BASED ON EXISTING PURLINS AT 1800mm CENTRES

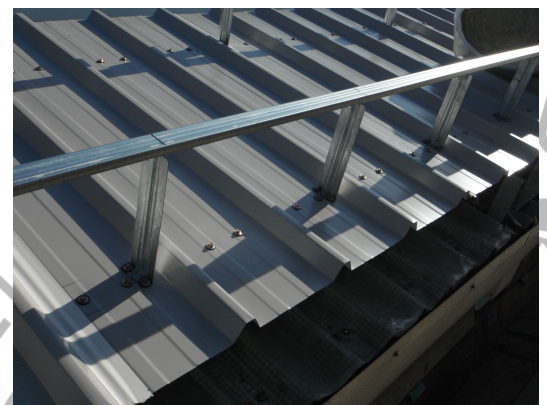
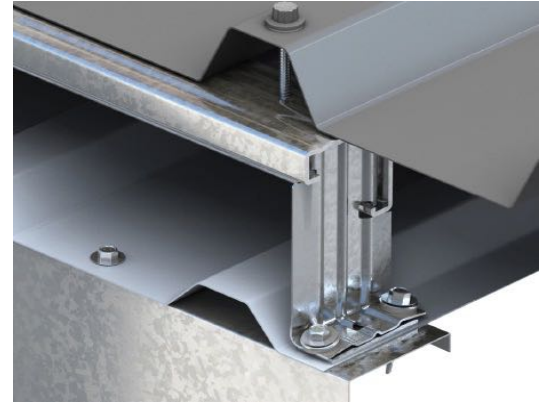
- 2 No. 135mm Bracket per Ln Metre 1.0 kg / m²
- 135mm roll out insulation 1.7 kg / m²
- 0.55mm Secret Fix / Pierced Fix Roof 6.0 kg / m²
- Total Weight 8.7 kg / m²

ALTERNATIVE OPTIONS TO CONSIDER

- 0.8mm Aluminum Roof System 4.0 kg / m²
- 0.8mm Steel Roof System 9.0 kg / m²

SYSTEM WARRANTY

- Up to 20 year, single source 'Guardian' System Warranty covers Design, Materials, Workmanship & Maintenance



ACCREDITATIONS



JOHANNESBURG – DURBAN – CAPE TOWN

For project specific specifications, CAD Details, Samples or technical assistance please contact our technical department on +27 (0) 861 672 476 or refer to our Technical Brochure available on www.mrc-goup.co.za

All Information correct as of the date this document was created 01 April 2015.

© Copyright 2015 MRC GROUP Copying or reproduction of these material are strictly prohibited

Reference number: MRC/FR/SF/ORM/001